

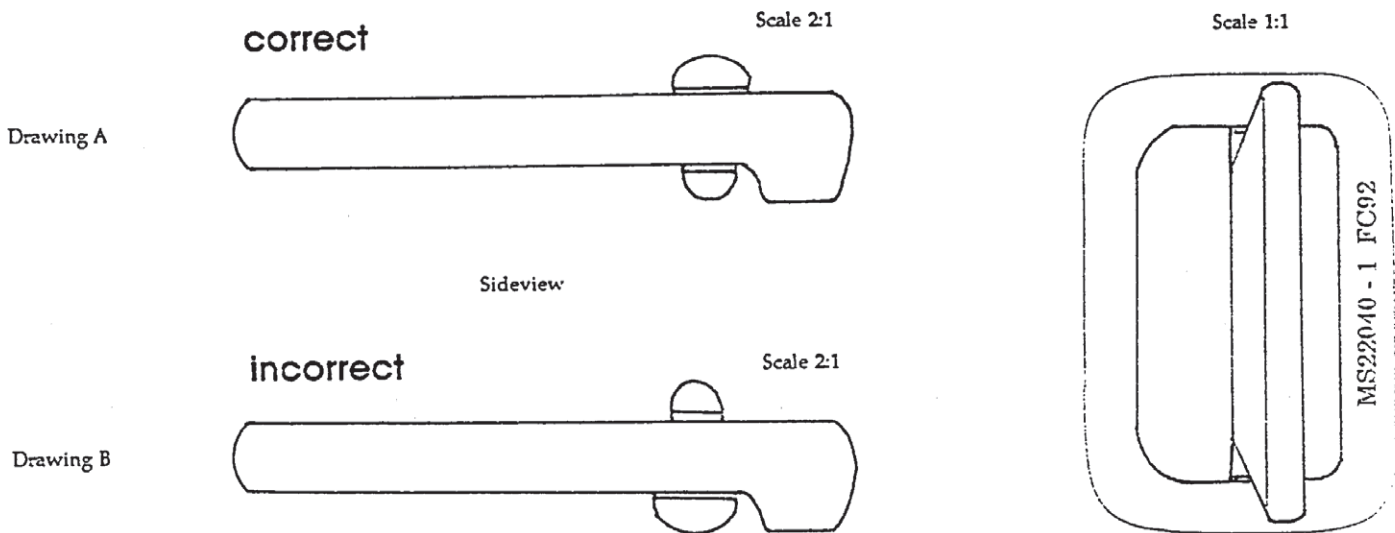
PSB#062193
 Incorrectly Manufactured MS-22040
 June 21, 1992

Status: Mandatory at next repack

Identification: All Vector container systems manufactured between April 22, 1993 and June 10, 1993

Background: One Vector container system has been discovered in the field with this incorrectly manufactured hardware. This is not life threatening, but may allow webbing slippage; thus resulting in an uncomfortable harness. Service Bulletin: This is a one-time inspection. Compare MS-22040 hardware against drawing A and B. If hardware is correct (drawing A), log bulletin compliance on data card. If hardware is incorrect (drawing B), notify Relative Workshop.

Where to check for this hardware: Leg straps (tandem and sport) and chest straps (tandem and tandem passenger harness).



Qualified Personnel: Senior or Master parachute rigger Compliance Date: At next reserve repack

Authority: Relative Workshop

Distribution: USPA, PIA, Skydiving, Parachutist, affected dealers owners of rigs with the following serial numbers: 21732, 22860, 25063, 25692, 25898, 25905, 25906, 25909, 25911, 25912, 26202, 26204, 26220, 26253, 26642-26647, 26653-26655, 27023, 27081, 27096, 27357, 27429, 27430, 27440-27444, 27448-27452, 27458, 27546, 27595, 27764, 27766-27770, 780, 27788, 27821, 27843, 27844, 27848-27865, 27868, 27871-27875, 27879-27900, 27906-27909, 27912-27915, 27917-27920, 27922-27944, 27947-28029, 28038-28043, 28045-28049, 28051, 28053-28066, 28068, 28069, 28075, 28079, 28080, 28082-28103, 28108-28115, 28118-28124, 28127-28135, 28137-28139, 28141, 28142, 28144, 28145, 28149, 28156, 28158-28162, 28165, 28166, 28168, 28184, 28185, 28190, 28197, 28200, 28204-28206, 28215, 28220, 28227, 28259-28263, 28276, 28297-28302, 28407, 28674.