

## LS 17500

### 3.6 V primary lithium thionyl chloride (Li-SOCl<sub>2</sub>) High Energy Density bobbin A-size cell



For applications requesting good voltage response and operating life in  $-60/+85^{\circ}\text{C}$  environments.

#### Cell size reference

A

#### Electrical characteristics

(typical values for cells stored for one year or less)

Nominal capacity 3.4 Ah

(at 4 mA +20°C 2 V cut off. The capacity restored by the cell varies according to current drain, temperature and cut off)

Open circuit voltage (at +20°C) 3.67 V

Nominal voltage (at 0.3 mA +20°C) 3.6 V

Pulse capability : Typically up to 35 mA. (Varies according to pulse characteristics, temperature, cell history and the application's acceptable minimum voltage. Fitting the cell with a capacitor may be recommended in severe conditions. Consult Saft)

Continuous current permitting 50% of the nominal capacity to be achieved at +20°C with 2 V cut off. (Higher currents possible, consult Saft) 130 mA

Storage (recommended) +30°C max  
(for more severe conditions, consult Saft)

Operating temperature range  $-60/+85^{\circ}\text{C}$

(Operation above ambient T may lead to reduced capacity and lower voltage readings at the beginning of pulses. Consult Saft)

#### Other characteristics

Li metal content approx. 0.9 g

Diameter (max) 17.0 mm (0.67 in)

Height (max) 50.9 mm (2.00 in)

Typical weight 21.9 g

Available termination suffix	CN, CNR 2 PF, 3 PF, 3 PF RP, 4 PF CNA (AX) FL	radial tabs radial pins axial leads flying leads ...etc.
------------------------------	--	---

#### Key features

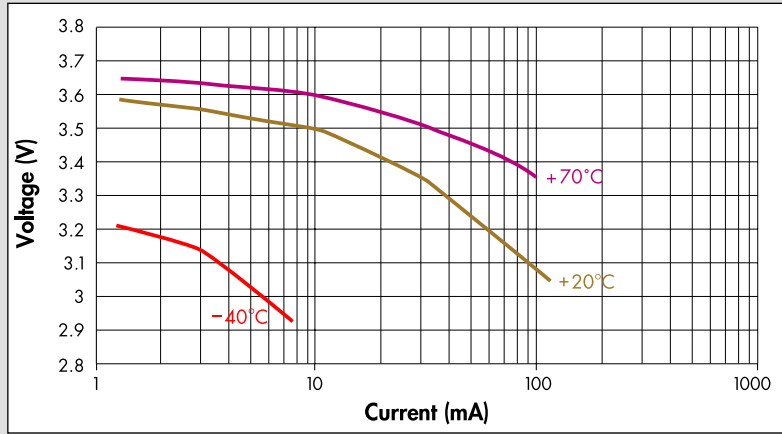
- High and stable operating voltage
- Low self discharge rate (less than 1% after 1 year of storage at +20°C)
- Stainless steel container and end caps (low magnetic signature)
- Non-flammable electrolyte
- Underwriters Laboratories (UL) Component Recognition (File Number MH 12609)
- Compliant with IEC 86-4 safety standard and EN 50020 intrinsic safety
- Non-restricted for transport

#### Main applications

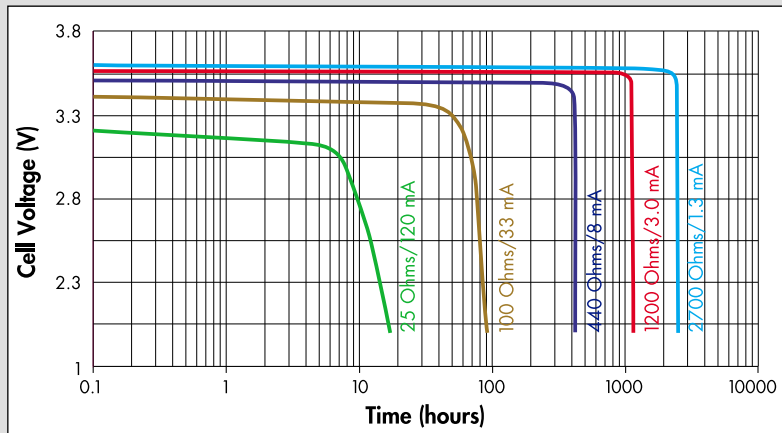
- Utility metering
- Automatic meter reading
- Alarms and security devices
- Tollgate systems
- Identification tags
- Tracking systems
- Automotive electronics
- Professional electronics ... etc.



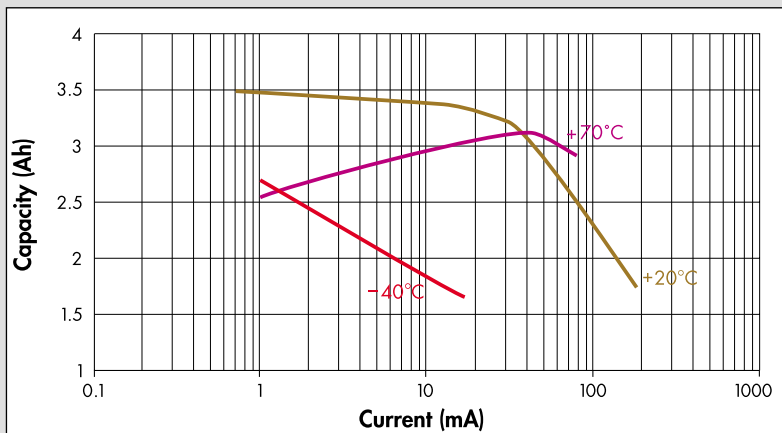
**Voltage plateau versus Current and Temperature (at mid-discharge)**



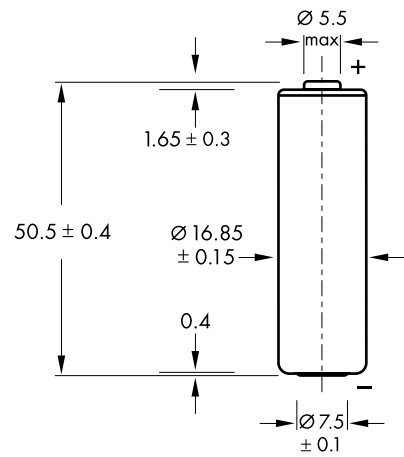
**Typical discharge profiles at +20°C**



**Restored Capacity versus Current and Temperature (2 V cut off)**



**LS 17500**



**dimensions in mm**



12, rue Sadi Carnot  
93170 Bagnole - France  
Tel +33 1 49 93 17 25  
Fax +33 1 49 93 19 69  
[www.saftbatteries.com](http://www.saftbatteries.com)

Doc. N° 31029-2-1003  
Published by the Communications Department

*Information in this document is subject to change without notice and becomes contractual only after written confirmation by Saft.*