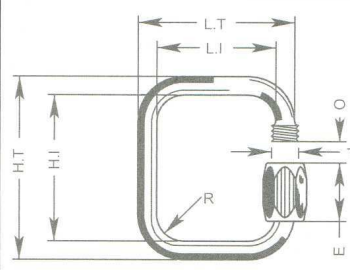


## Carré-Square



## T1 Acier Zingué/Zinc plated steel

Réf	Diamètre/size		Dimensions-mm								Poids/weight	CU/WLL	CR/BL
	mm	inch	L.T.	L.I.	H.T	H.I	O	E	R	T	kg/100pcs	kg	kg
MRCZ02.5	2,5	3/32"	22,0	17,0	26,0	21,0	3,5	8,0	3,50	3,5	0,370	25	125
MRCZ03.0	3,0	7/64"	24,0	18,0	29,5	23,5	4,0	9,0	4,25	4,0	0,610	40	200
MRCZ03.5	3,5	1/8"	29,0	22,0	34,5	27,5	5,0	11,0	5,00	5,0	1,110	70	350
MRCZ04.0	4,0	5/32"	33,0	25,0	39,5	31,5	5,5	12,5	5,75	6,0	1,490	100	500
MRCZ05.0	5,0	3/16"	38,0	28,0	47,5	37,5	6,5	16,0	6,50	7,0	2,600	150	750
MRCZ06.0	6,0	1/4"	43,0	31,0	55,0	43,0	7,5	19,0	7,25	9,0	4,290	250	1 250
MRCZ07.0	7,0	9/32"	48,0	34,0	63,5	49,5	8,5	21,5	8,00	10,0	6,440	400	2 000
MRCZ08.0	8,0	5/16"	53,0	37,0	71,0	55,0	10,0	24,0	8,75	11,0	8,740	550	2 750
MRCZ09.0	9,0	3/8"	58,0	40,0	78,0	60,0	11,0	26,0	9,50	12,0	12,860	700	3 500
MRCZ10.0	10,0	7/16"	63,0	43,0	88,5	68,5	12,0	29,0	10,25	13,0	16,640	900	4 500
MRCZ12.0	12,0	1/2"	74,0	50,0	102,0	78,0	15,0	33,0	11,75	15,0	27,800	1 100	5 500
MRCZ14.0	14,0	9/16"	85,0	57,0	117,0	89,0	17,0	38,5	13,25	17,0	44,000	1 800	9 000
MRCZ16.0	16,0	5/8"	96,0	64,0	135,0	103,0	19,0	45,0	14,75	19,0	61,410	2 200	11 000
MRCZ18.0	18,0	11/16"	107,0	71,0	153,0	117,0	23,0	59,0	16,25	22,0	87,510	2 600	13 000

## T2 Inox/Stainless steel

Réf	Diamètre/size		Dimensions-mm								Poids/weight	CU/WLL	CR/BL
	mm	inch	L.T.	L.I.	H.T	H.I	O	E	R	T	kg/100pcs	kg	kg
MRCI02.5	2,5	3/32"	22,0	17,0	26,0	21,0	3,5	8,0	3,50	3,5	0,380	70	350
MRCI03.0	3,0	7/64"	24,0	18,0	29,5	23,5	4,0	9,0	4,25	4,0	0,630	110	550
MRCI03.5	3,5	1/8"	29,0	22,0	34,5	27,5	5,0	11,0	5,00	5,0	1,140	150	750
MRCI04.0	4,0	5/32"	33,0	25,0	39,5	31,5	5,5	12,5	5,75	6,0	1,530	200	1 000
MRCI05.0	5,0	3/16"	38,0	28,0	47,5	37,5	6,5	16,0	6,50	7,0	2,670	325	1 625
MRCI06.0	6,0	1/4"	43,0	31,0	55,0	43,0	7,5	19,0	7,25	9,0	4,400	450	2 250
MRCI07.0	7,0	9/32"	48,0	34,0	63,5	49,5	8,5	21,5	8,00	10,0	6,600	625	3 125
MRCI08.0	8,0	5/16"	53,0	37,0	71,0	55,0	10,0	24,0	8,75	11,0	8,960	770	3 850
MRCI09.0	9,0	3/8"	58,0	40,0	78,0	60,0	11,0	26,0	9,50	12,0	13,180	980	4 900
MRCI10.0	10,0	7/16"	63,0	43,0	88,5	68,5	12,0	29,0	10,25	13,0	17,060	1 250	6 250
MRCI12.0	12,0	1/2"	74,0	50,0	102,0	78,0	15,0	33,0	11,75	15,0	28,500	1 750	8 750
MRCI14.0	14,0	9/16"	85,0	57,0	117,0	89,0	17,0	38,5	13,25	17,0	45,100	2 450	12 250
MRCI16.0	16,0	5/8"	96,0	64,0	135,0	103,0	19,0	45,0	14,75	19,0	69,950	3 150	15 750

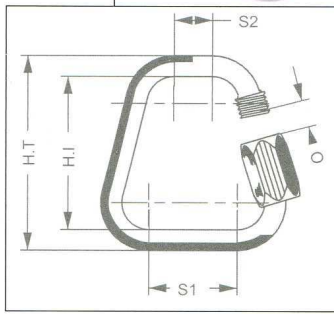
### Couple de serrage (N.m) Tightening torque (N.m)

Ø F	Couple
2,5	0,15
3,0	0,30
3,5	0,60
4,0	0,70
5,0	0,80
6,0	1,20
7,0	2,50
8,0	3,00
9,0	4,50
10,0	7,00
12,0	9,00
14,0	12,00
16,0	18,00
18,0	30,00
20,0	40,00

## T3 Laiton/Brass

Réf	Diamètre/size		Dimensions-mm								Poids/weight	CU/WLL	CR/BL
	mm	inch	L.T.	L.I.	H.T	H.I	O	E	R	T	kg/100pcs	kg	kg
MRCLO3.0	3,0	7/64"	24,0	18,0	29,5	23,5	4,0	9,0	4,25	4,0	0,630	32	160
MRCLO3.5	3,5	1/8"	29,0	22,0	34,5	27,5	5,0	11,0	5,00	5,0	1,140	56	280
MRCLO4.0	4,0	5/32"	33,0	25,0	39,5	31,5	5,5	12,5	5,75	6,0	1,530	80	400
MRCLO5.0	5,0	3/16"	38,0	28,0	47,5	37,5	6,5	16,0	6,50	7,0	2,670	120	600
MRCLO6.0	6,0	1/4"	43,0	31,0	55,0	43,0	7,5	19,0	7,25	9,0	4,400	200	1000
MRCLO7.0	7,0	9/32"	48,0	34,0	63,5	49,5	8,5	21,5	8,00	10,0	6,600	320	1600
MRCLO8.0	8,0	5/16"	53,0	37,0	71,0	55,0	10,0	24,0	10,00	11,0	8,960	480	2400

## Trapèze-Trapez



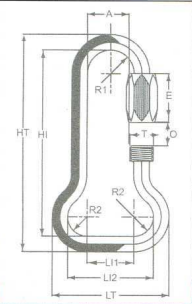
## T4 Acier Zingué/Zinc plated steel

Réf	Diamètre/size		Dimensions-mm					Poids/weight	CU/WLL	CR/BL
	mm	inch	H.T	H.I	S1	S2	O	kg/100pcs	kg	kg
MRTZ03.5	3,5	1/8"	35,0	28,0	16,0	8,0	5,0	0,600	70	350
MRTZ04.0	4,0	5/32"	40,0	32,0	18,5	8,5	5,5	1,350	100	500
MRTZ05.0	5,0	3/16"	47,0	37,0	21,0	9,0	6,5	2,300	150	750
MRTZ06.0	6,0	1/4"	59,0	47,0	32,0	16,0	8,0	3,850	250	1250

## T5 Inox/Stainless steel

Réf	Diamètre/size		Dimensions-mm					Poids/weight	CU/WLL	CR/BL
	mm	inch	H.T	H.I	S1	S2	O	kg/100pcs	kg	kg
MRTI03.5	3,5	1/8"	35,0	28,0	16,0	8,0	5,0	0,600	150	750
MRTI04.0	4,0	5/32"	40,0	32,0	18,5	8,5	5,5	1,350	200	1000
MRTI05.0	5,0	3/16"	47,0	37,0	21,0	9,0	6,5	2,300	325	1625
MRTI06.0	6,0	1/4"	57,0	45,0	26,0	16,0	7,5	3,850	450	2250

## Suspente-Rigging



## T6 Inox/Stainless steel

Réf	Diamètre/size		Dimensions-mm										Poids/weight	CU/WLL	CR/BL
	mm	inch	H.T	H.I	L.I.1	L.I.2	L.T	O	E	R1	R2-3	T	kg/100pcs	kg	kg
MRSI03.5	3,5	1/8"	50,0	43,0	12,0	22,0	29,0	5,0	11,0	6,0	5,0	5,0	1,200	150	750
MRSI03.5 S12	3,5	1/8"	37,0	30,0	10,0	14,0	21,0	5,0	11,0	5,0	2,0	5,0	0,900	150	750
MRSI03.5 S20	3,5	1/8"	41,0	34,0	18,0	22,0	29,0	5,0	11,0	5,0	2,0	5,0	1,200	150	750
MRSI04.0	4,0	5/32"	56,0	48,0	12,0	22,0	30,0	6,0	12,0	6,0	5,0	6,0	1,300	200	1000
MRSI05.0	5,0	3/16"	61,0	51,0	12,0	22,0	32,0	6,5	16,0	6,0	5,0	7,0	2,500	325	1625