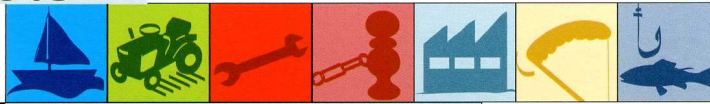
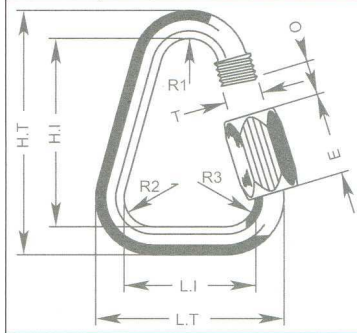


Produits

Products



Delta-Delta



T1 Acier Zingué/Zinc plated steel

Réf	Diamètre/size		Dimensions-mm								Poids/weight		
	mm	inch	L.T.	L.I.	H.T.	H.I.	O	E	R1-2-3	T	kg/100pcs	kg	kg
MRDZ02.5	2,5	3/32"	22,0	17,0	27,0	22,0	3,5	8,0	3,50	3,5	0,250	25	125
MRDZ03.0	3,0	7/64"	27,0	21,0	30,0	24,0	4,0	9,0	4,25	4,0	0,597	40	200
MRDZ03.5	3,5	1/8"	31,0	24,0	36,0	29,0	5,0	11,0	5,00	5,0	0,920	70	350
MRDZ04.0	4,0	5/32"	35,5	27,5	40,0	32,0	5,5	12,5	5,75	6,0	1,350	100	500
MRDZ05.0	5,0	3/16"	40,0	30,0	48,0	38,0	6,5	16,0	6,50	7,0	2,300	150	750
MRDZ06.0	6,0	1/4"	47,0	35,0	56,0	44,0	7,5	19,0	7,25	9,0	3,850	250	1 250
MRDZ07.0	7,0	9/32"	51,0	37,0	63,0	49,0	8,5	21,5	8,00	10,0	5,750	400	2 000
MRDZ08.0	8,0	5/16"	56,0	40,0	73,0	57,0	10,0	24,0	8,85	11,0	8,600	550	2 750
MRDZ09.0	9,0	3/8"	60,0	42,0	78,0	60,0	11,0	26,0	9,50	12,0	11,540	700	3 500
MRDZ10.0	10,0	7/16"	66,0	46,0	87,0	67,0	12,0	29,0	10,25	13,0	15,250	900	4 500
MRDZ12.0	12,0	1/2"	75,0	51,0	104,0	80,0	15,0	33,0	11,75	15,0	25,600	1 100	5 500
MRDZ14.0	14,0	9/16"	85,0	57,0	123,0	95,0	17,0	38,5	13,25	17,0	40,350	1 800	9 000
MRDZ16.0	16,0	5/8"	93,0	61,0	138,0	106,0	19,0	45,0	14,75	19,0	61,200	2 200	11 000
MRDZ18.0	18,0	11/16"	102,0	66,0	155,0	119,0	23,0	52,0	16,25	22,0	84,500	2 600	13 000
MRDZ20.0	20,0	25/32"	112,0	72,0	176,0	136,0	24,0	60,0	17,75	24,0	118,500	3 000	15 000

T2 Inox/Stainless steel

Réf	Diamètre/size		Dimensions-mm								Poids/weight		
	mm	inch	L.T.	L.I.	H.T.	H.I.	O	E	R1-2-3	T	kg/100pcs	kg	kg
MRDI02.5	2,5	3/32"	22,0	17,0	27,0	22,0	3,5	8,0	3,50	3,5	0,260	70	350
MRDI03.0	3,0	7/64"	27,0	21,0	30,0	24,0	4,0	9,0	4,25	4,0	0,610	110	550
MRDI03.5	3,5	1/8"	31,0	24,0	36,0	29,0	5,0	11,0	5,00	5,0	0,950	150	750
MRDI04.0	4,0	5/32"	35,5	27,5	40,0	32,0	5,5	12,5	5,75	6,0	1,390	200	1 000
MRDI05.0	5,0	3/16"	40,0	30,0	48,0	38,0	6,5	16,0	6,50	7,0	2,360	325	1 625
MRDI06.0	6,0	1/4"	47,0	35,0	56,0	44,0	7,5	19,0	7,25	9,0	3,950	450	2 250
MRDI07.0	7,0	9/32"	51,0	37,0	63,0	49,0	8,5	21,5	8,00	10,0	5,900	625	3 125
MRDI08.0	8,0	5/16"	56,0	40,0	73,0	57,0	10,0	24,0	8,85	11,0	8,820	770	3 850
MRDI09.0	9,0	3/8"	60,0	42,0	78,0	60,0	11,0	26,0	9,50	12,0	11,540	980	4 900
MRDI10.0	10,0	7/16"	66,0	46,0	87,0	67,0	12,0	29,0	10,25	13,0	15,640	1 250	6 250
MRDI12.0	12,0	1/2"	75,0	51,0	104,0	80,0	15,0	33,0	11,75	15,0	26,240	1 750	8 750
MRDI14.0	14,0	9/16"	85,0	57,0	123,0	95,0	17,0	38,5	13,25	17,0	41,360	2 450	12 250
MRDI16.0	16,0	5/8"	93,0	61,0	138,0	106,0	19,0	45,0	14,75	19,0	62,730	3 150	15 750

Couple de serrage (N.m) Tightening torque (N.m)

Ø F	Couple
2,5	0,15
3,0	0,30
3,5	0,60
4,0	0,70
5,0	0,80
6,0	1,20
7,0	2,50
8,0	3,00
9,0	4,50
10,0	7,00
12,0	9,00
14,0	12,00
16,0	18,00
18,0	30,00
20,0	40,00

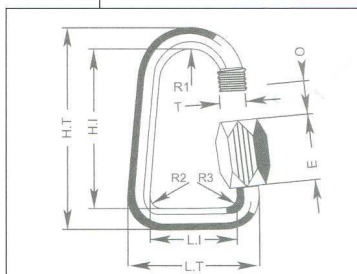
T3 Zical/Zical

Réf	Diamètre/size		Dimensions-mm								Poids/weight		
	mm	inch	L.T.	L.I.	H.T.	H.I.	O	E	R1-2-3	T	kg/100pcs	kg	kg
MRDZIC07.0	7,0	9/32"	51,0	37,0	63,0	49,0	8,5	21,5	8,00	10,0	2,065	175	875
MRDZIC10.0	10,0	7/16"	66,0	46,0	87,0	67,0	12,0	29,0	10,25	13,0	5,450	350	1 750

T4 Laiton/Brass

Réf	Diamètre/size		Dimensions-mm								Poids/weight		
	mm	inch	L.T.	L.I.	H.T.	H.I.	O	E	R1-2-3	T	kg/100pcs	kg	kg
MRDL03.0	3,0	7/64"	27,0	21,0	30,0	24,0	4,0	9,0	4,25	4,0	0,610	32	160
MRDL03.5	3,5	1/8"	31,0	24,0	36,0	29,0	5,0	11,0	5,00	5,0	0,950	56	280
MRDL04.0	4,0	5/32"	35,5	27,5	40,0	32,0	5,5	12,5	5,75	6,0	1,390	80	400
MRDL05.0	5,0	3/16"	40,0	30,0	48,0	38,0	6,5	16,0	6,50	7,0	2,360	120	600
MRDL06.0	6,0	1/4"	47,0	35,0	56,0	44,0	7,5	19,0	7,25	9,0	3,950	200	1000
MRDL07.0	7,0	9/32"	51,0	37,0	63,0	49,0	8,5	21,5	8,00	10,0	5,900	320	1600
MRDL08.0	8,0	5/16"	56,0	40,0	73,0	57,0	10,0	24,0	8,85	11,0	8,820	480	2400

Delta DS-Delta DS



T5 Inox/Stainless steel

Réf	Diamètre/size		Dimensions-mm								Poids/weight			
	mm	inch	L.T.	L.I.	H.T.	H.I.	O	E	R1	R2-3	T	kg/100pcs	kg	kg
MRDI03.0 S10	3,0	7/64"	18,0	12,0	29,0	23,0	4,0	9,0	5,00	2,00	4,0	0,500	110	550
MRDI03.5 S12	3,5	1/8"	21,0	14,0	33,0	26,0	5,0	11,0	5,00	2,00	5,0	0,800	150	750
MRDI03.5 S15	3,5	1/8"	24,0	17,0	35,0	28,0	5,0	11,0	5,00	2,00	5,0	0,880	150	750

CU : charge utile / WLL : working load limit - CR : charge de rupture / BL : breaking load