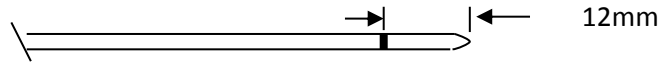
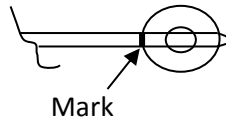


HOW TO MEASURE A VORTEX ONE PIN RIPCORD.

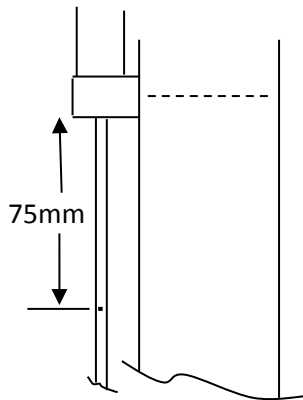
1. Take the long cable of a cutaway handle.
(Or a meter of the yellow cable with the ends heat sealed).
2. Measure 12mm from the sealed end and mark with a felt marker



3. Hang the rig on the back of a chair. Ask some one to help you.
4. Push the cable into the reserve ripcord housing from the pocket end, marked end first.
5. Place the mark on the end on the edge of the grommet in the top reserve flap.



- Ask your assistant to hold the mark in place.
6. Measure 75mm down from the top of the ripcord pocket and make a dot on the cable with a marker.



7. Remove the cable and measure from the end of the cable to the 75mm mark.
8. This is the **cut length of the cable** required to make up the new ripcord. The 75mm is for the slack at the pocket end. This is correct for soft handles and hard handles.

